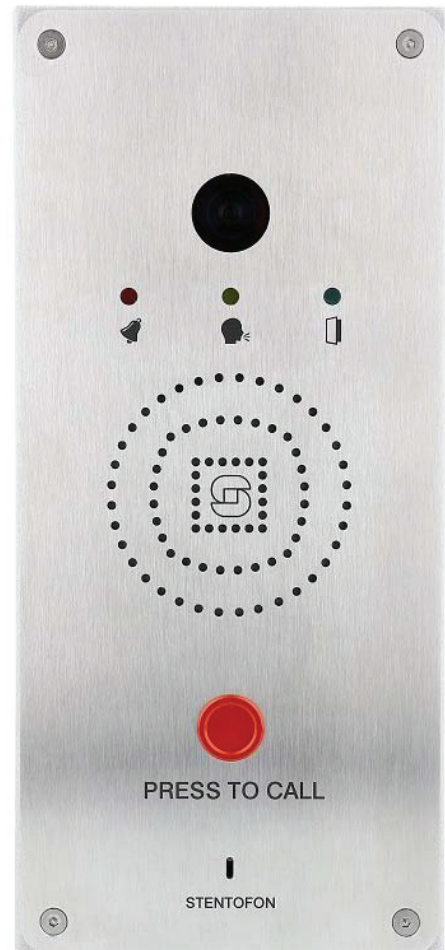


282002001

IP VANDAL & WEATHER RESISTANT VIDEO SUBSTATION With Embedded Acti IP Camera

FEATURES

- Designed to deliver CCoIP® - Critical Communication over IP
- IP Door station designed for public buildings
- Vandal resistant and stainless steel (A304) to withstand corrosion
- 3 separate coloured LEDs to indicate process status : ring, conversation and door open status (red, orange and green)
- Independently addressable Acti IP Camera with the ability to send Dual streams in different resolutions High-Resolution for Recording and Medium-Resolution for Display
- One piezo call button freely programmable to initiate a direct call or a call request towards a group of STENTOFON stations
- Dual-Relay output for remote control, e.g. doors, signal lamps and gates
- Superb audio quality. High bandwidth codec, active noise cancellation, acoustic echo cancellation and high output power amplifier (10W)
- Built-in web server, remote software upgrade, configuration and monitoring



DESCRIPTION

Designed to meet the needs of a building management system, the video station's embedded Acti E12 IP camera is highly flexible and is supported by most VMS systems. This unit blends in perfectly with the STENTOFON IP system and will therefore integrate with most security systems.

The IP station supports open standards and is compatible with STENTOFON AlphaCom, STENTOFON Pulse and iPBXs using SIP technology. When working in AlphaCom mode, the IP station supports special services only available using the STENTOFON CCoIP protocol, AlphaCom server. Examples of services are emergency broadcast with volume override, CCTV integration, call priority, and AlphaNet multisite networking and STENTOFON event scripting.

Like all STENTOFON stations, this IP video station features superb audio quality. This is enabled through a set of advanced technologies such as active noise filtering, acoustic echo cancellation, wide band audio codec, and high power audio outputs. Due to the integrated network switch on the STENTOFON station, the CCTV camera is supported without the requirement for an additional Ethernet connection. To provide maximum availability the station comes with advanced supervision functions. The station line test will detect if there are any faults in the network or station electronics. In addition the station supports tone test, testing the complete transmission path including microphone and speaker. The status of the stations is reported to AlphaWeb as well as to 3rd party management systems using SNMP, Syslog or OPC.

The HD audio quality, the ability to have an unlimited number of stations and the ease of installation allow this product to integrate effortlessly with Public Buildings and their Management Systems.

Specifications

AUDIO

Codecs	Wideband 200 Hz - 7 kHz (G.722) Telephony 3.4kHz (G.711) Active noise filtering Acoustic echo cancellation Open duplex Adaptive jitter filter 1.5 Watt audio output 8 ohm loudspeaker impedance External audio out (0db, 600 ohm)
Audio technology	Open duplex

HARDWARE

Connectors	1 x RJ45 (Ethernet) 10/100 Mbps Pluggable screw terminals (audio and IO)
Cabling	1 x Ethernet cable Cat5-Cat6 +PoE or local 24VDC
PoE (Power over Ethernet)	IEEE 802.3af standard, Class 0 (0.44W to 12.95 W)
Visual information	3 LED (red, yellow, green)
Power consumption	Idle 1.8W, m ax 12W (depending on volume)
Protection	Vandal resistant design, 3 mm stainless steel front, tamper proof loudspeaker grill, button and fastening screws
IP Rated	65

OTHER SPECIFICATIONS

Dimensions (HxWxD)	125 x 280 x 60 mm
Weight	0.1 kg / 0.2 lbs
Encapsulation material	Stainless steel
Country of manufacture	Australia

NETWORKING & PROTOCOLS

Protocols	IPv4 - Tcp- udp- HTTPS – TFTP- rTP- rTcp-DHcP SnMP- DiffServ - ToS – STENTOFON CCoIP®
LAN protocols	Power over Ethernet (IEEE 802.3 a-f)
Management & Operation	HTTP/HTTPS (Web configuration) DHCP and static IP + STENTOFON Pulse™ Remote software upgrade Centralized monitoring
Advanced supervision functions	Dual port managed data switch supporting VLAN and network access control
SIP Support	RFC 3261 (SIP base standard) RFC 3515 (SIP refer) RFC 2976 (SIP info)
DTMF Support	RFC 2833, 2976 (SIP info)

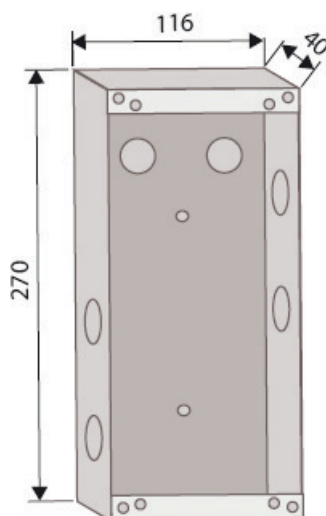
ENVIRONMENT & COMPLIANCES

Operating temperature range	-40° to 70° C / -40° to 158 ° F
Storage temperature range	-40° to 70° C / -40° to 158 ° F
Relative humidity	< 95% not condensing
EMC	CE and FCC Part 15

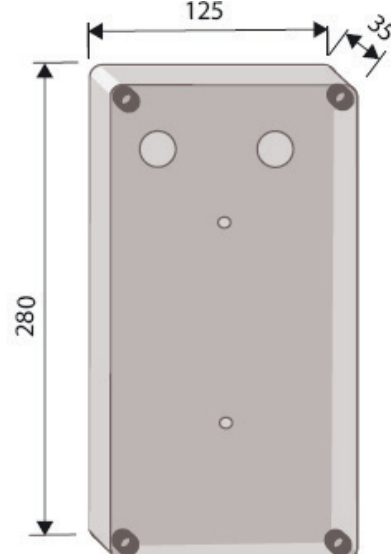
CAMERA SPECIFICATIONS

IP camera	Acti E12
Video Compression	H.264 Baseline, Motion JPEG
Resolution	3 Megapixel with 1080p
Image Frame rate	15 fps at 2048 x 1536; 30 fps at 1920 x 1080; 30 fps at 1280 x 720; 30 fps at 640 x 480; 15 fps 320 x 240
Security	IP address filtering; HTTPs encryption; Password protected user levels;
Field of view	Fitted with 180o fish eye lens

FLUSH MOUNT BACK BOX
100 8098 100



ON WALL BACK BOX
100 8098 000



ITEM NUMBER
282002001

DATE 0 1/3/2016

www.stentofon.com.au

sales@stentofon.com.au

Zenitel and its subsidiaries assume no responsibility for any errors that may appear in this publication, or for damages arising from the information therein. VINGTOR-STENTOFON products are developed and marketed by Zenitel. The company's Quality Assurance System is certified to meet the requirements in NS-EN ISO 9001. Zenitel reserves the right to modify designs and alter specifications without notice. ZENITEL PROPRIETARY. This document and its supplementing elements, contain Zenitel or third party information which is proprietary and confidential. Any disclosure, copying, distribution or use is prohibited, if not otherwise explicitly agreed in writing with Zenitel. Any authorized reproduction, in part or in whole, must include this legend. Zenitel – All rights reserved.