










1008113020

## TCIA-2

Analog over IP Intercom



-  **Turbine**
-  **Door Intercom**
-  **IP66**
-  **IK10**
-  **Automatic Volume**
-  **HD Voice**
-  **Automatic Gain Control**
-  **Active Noise Cancelling**
-  **Voice Activity Detection**

### DESCRIPTION

- Vandal resistant Analog over IP intercom
- Combine the network security of an analog intercom with the audio features of an IP intercom.
- Up to 60 meters extended analog interface keeps your IP network port in protected area.
- Background noise cancellation
- Dirt, dust and water resistant - rating IP-66
- Built to last with robust die-cast aluminum frame - rating IK 10
- Stainless steel front plate with one button
- Ideal for Building Security and Public Environments where you don't want to expose your physical IP network.

All IP stations in the Vingtor-Stentofon Turbine series utilize the latest technology to create unparalleled audio quality. Some of the many features include: HD voice quality, Open Duplex, Active Noise Cancellation, MEMS microphone, and our unique speaker grille design. These features, in conjunction with Vingtor-Stentofon's 65+ years of experience with acoustic technology are only a few of the many factors that contribute to our superior audio quality.

## SPECIFICATIONS

### AUDIO

Loudspeaker impedance	8 ohm
Microphone technology	Analog MEMS, omni directional microphone

### HARDWARE

Connector	1 x RJ45
Power	Powered from gateway
Call indication	LED integrated in large button

### CONSTRUCTION

Dimensions (HxWxD)	180 x 120 x 73 mm / 7.1" x 4.7" x 2.9"
Dimensions after flush mount	180 x 120 x 24 mm / 7.1" x 4.7" x 0.9"
Dimensions with on wall box	180 x 120 x 86 mm / 7.1" x 4.7" x 3.4"
Weight	1 kg / 2.2 lbs.
Faceplate material	3 mm / 0.12" stainless steel - AISI 403
Base/frame material	3 mm / 0.12" aluminum alloy - A413.0, AISI12Se, anodized and painted
Electronics cover material	Polycarbonate (translucent)
Gasket material	Silicone rubber
Fastening bracket material	SECC steel
Button material	3 mm / 0.12" Polycarbonate (transparent)
Button travel length	1.25 mm
Button activation force	350 gf
Button push-cycles before failure	300 000
Loudspeaker poke protection, large diameter object	3D cast aluminum speaker grille
Loudspeaker poke protection, small diameter objects	Stainless steel mesh, acoustically transparent

### ENVIRONMENT AND COMPLIANCES

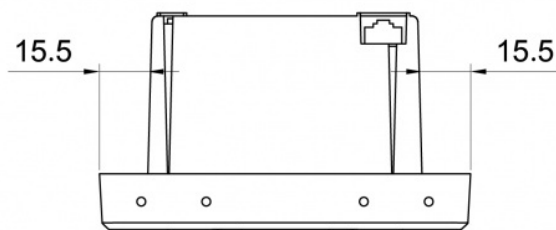
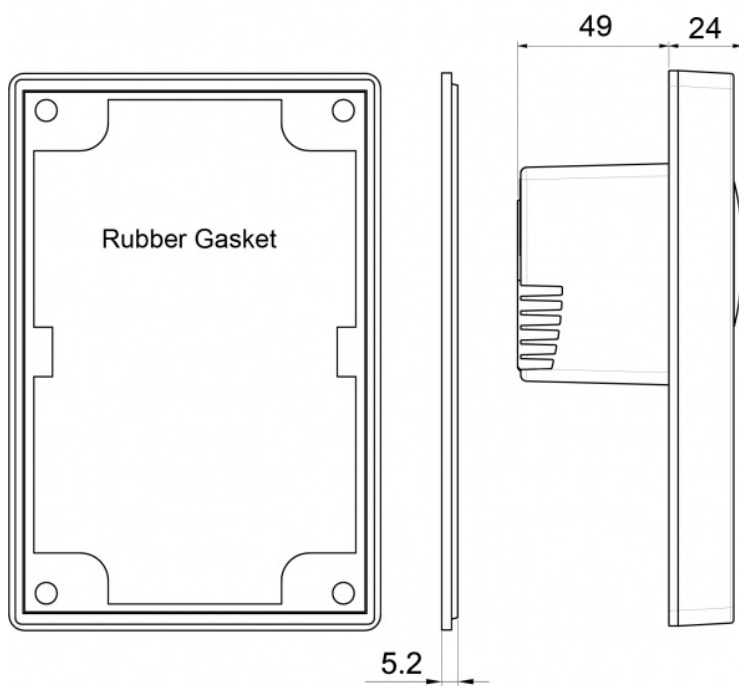
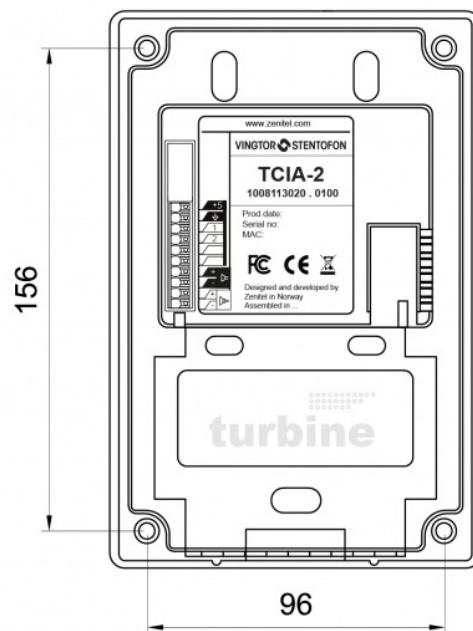
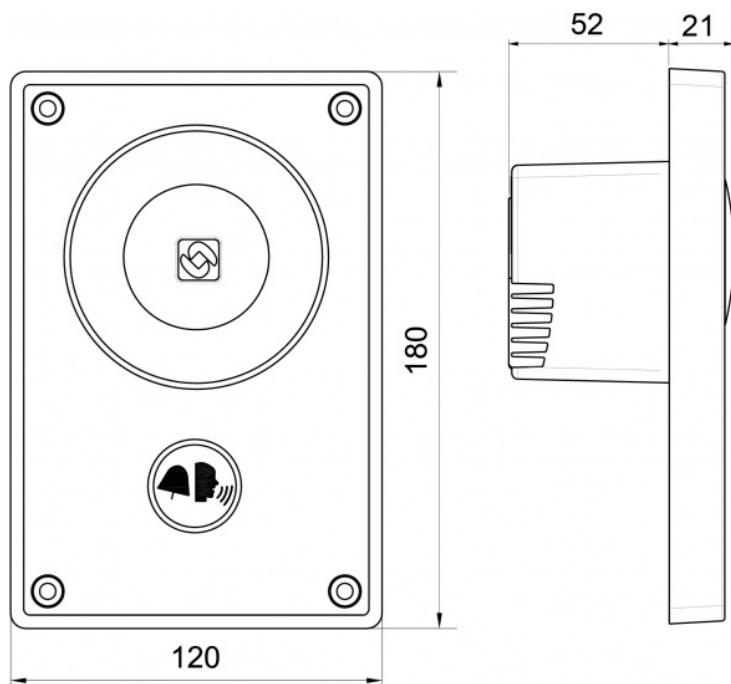
IP rating	IP-66, tested according to EN 60529 (applies when mounted in TA-1 back box)
IK rating	IK 10, tested according to EN 62262
Operating temperature range	-40° to 70° C / -40° to 158 ° F
Storage temperature range	-40° to 70° C / -40° to 158 ° F
Relative humidity	< 95% not condensing
Corrosion	Salty mist. tested according to EN60945
Vibration	Tested according to EN60945
UV-resistant	Yes
EMC	CE and FCC Part 15

### OTHER SPECIFICATIONS

Country of manufacture	Poland
------------------------	--------

\* Testé avec équipement audio de précision SYS 2722

# TECHNICAL DIMENSIONS



All dimensions in mm

## ACCESSORIES



**TA-1**

Item number: 1008140010



**TA-2**

Item number: 1008140020



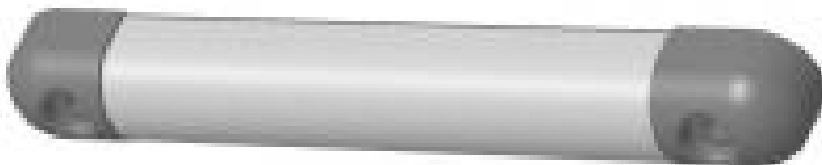
**TA-5**

Item number: 1008140050



**TA-18**

Item number: 1008140180



**TA-14**

Item number: 1008140140

## USED WITH



1008131020

**TKIS-2**

VoIP Intercom Module



1008133020

**TKIA-2**

Analog over IP Gateway