

1023301311

ELSII-10HM

Network Horn Speaker, 10W, Ethernet, Microphone



- ✓ Zenitel Audio Presence - crystal clear audio
- ✓ 10W Class D, built-in amplifier
- ✓ Protected from dust and Water - IP66
- ✓ 116 dB SPL (1m)
- ✓ Ideal for Micro Zone PA and systems that require a limited number of speakers
- ✓ Each speaker is individually addressable and monitored
- ✓ ONVIF Compatible
- ✓ Ideal for speakers installed in remote locations, e.g. roads and railways
- ✓ Remote software upgrade and configuration
- ✓ Relay output for remote control, e.g. doors, signal lamps, gates
- ✓ Powered from the IP network cable using Power over Ethernet (PoE)
- ✓ Ideal for Building Security, Infrastructure and Industrial projects

IC-EDGE IC-Edge


SIP



ICX-AlphaCom



Exigo



IP66

Audio



Automatic Volume



HD Voice

Network

Description

This IP speaker features a 10W Class D amplifier, powered over PoE. This means that the speaker is capable of delivering more than 116 dB, depending on the signal input from a single Ethernet cable. The Horn design give better directivity over that of a cabinet speaker, and ideal for more target audio messages, or installation in challenging acoustic environments where increased directivity is key to intelligible audio.

With IP, the system is able to monitor and address each speaker individually. By moving the amplifier from a central unit out to the speaker itself, the need for a central amplifier unit with conventional speaker loops is eliminated. This makes the system highly scalable, and adding another speaker is easy to do.

Whilst conventional speaker loops are not used, the speakers can still be divided into groups. These zones can now extend over networks or span the Internet. To provide maximum availability, the speaker comes with advanced supervision functions.

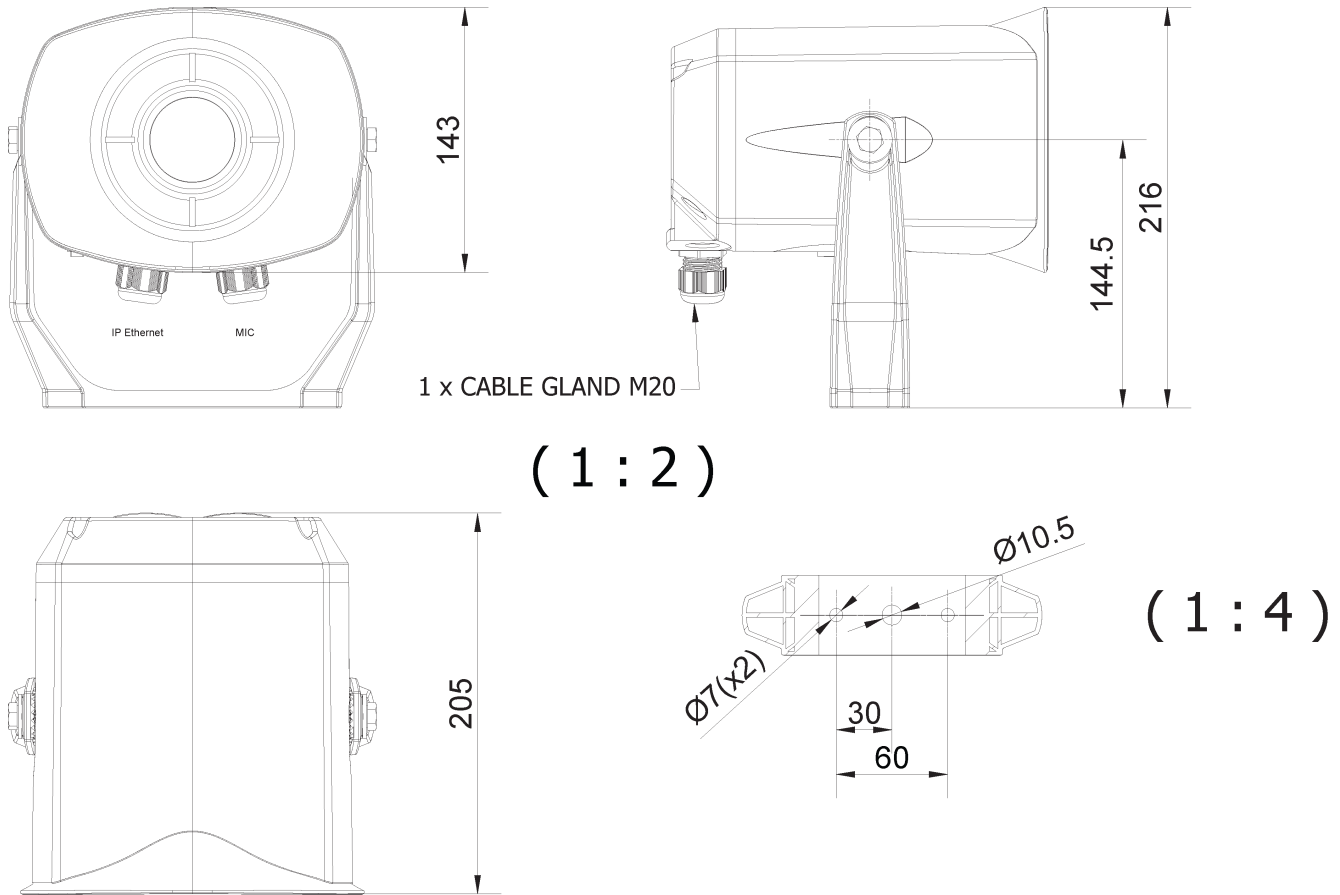
The built-in microphone enables intelligent features such as Self-checking, and Automatic Volume Control. It also enhances what is traditionally a broadcast-only medium adding Half Duplex speech, and Ambient Listen functions. Self-checking will detect whether there are any faults in the network or speaker electronics. The status of the speaker is reported to the central unit as well as to 3rd-party management systems using SNMP or Syslog. The speakers can also be discovered, receive messages, and use Talkback direct to a VMS over ONVIF.

The speaker has a built-in web interface for status information, control, and upgrade. It is easy to install and maintain. In addition, there are possibilities where broadcasts can be logged in detailed reports.

Polar Plot:

```
[[{"fid":"17506","view_mode":"default","fields":{"format":"default","field_file_image_alt_text[und][0][value]":false,"field_file_image_title_text[und][0][value]":false},"type":"media","field_deltas":{"5":{"format":"default","field_file_image_alt_text[und][0][value]":false,"field_file_image_title_text[und][0][value]":false}},"link_text":null,"attributes":{"class":"media-element file-default","data-delta":"5"}}]]
```

Technical Dimensions



Specifications

GENERAL

Internal speaker amplifier	10 W class D
Max. sound pressure level at 1 meter	116 dB
Dispersion (-6dB) 1kHz / 4kHz	140° / 40°
Directivity factor, Q	1,8
Codecs	G.711, G.722
Frequency range, G.722 Codec	200 Hz – 7000 Hz
Mounting	Bracket (included)
Weight	1.8 kg / 4 lbs
Material / Color	ASA (plastic) / RAL 7035 (light grey)
Electronics cover material	ASA (plastic)
Gasket material	Silicone rubber
IP Rating	IP66, tested according to EN 60529

ENVIRONMENT AND COMPLIANCES

Operating temperature range	-40° to 70° C / -40° to 158 ° F
Storage temperature range	-40° to 70° C / -40° to 158 ° F
Relative humidity	< 95% not condensing
EMC	CE and FCC Part 15

HARDWARE

Ethernet connector	1 x RJ 45
All other connectors	Tool less, spring loaded, vibration proof terminals
General inputs and outputs	6 (configurable)
Outputs	12mA as LED drivers
Change-over relay (NO+NC+COM)	Max: 250VAC/220VDC, 2A, 60W
Power options	PoE
PoE (power over Ethernet)	IEEE 802.3af standard, Class 0 (0.44W to 12.95 W)
Power consumption	Idle 1.8W, max 12W (depending on volume)
Audio line out / induction loop signal	600 Ohm

NETWORKING AND PROTOCOLS

Protocols	IPv4 (with DiffServ), SIP, TCP, UDP, Unicast, Multicast, HTTPS, TFTP, RTP, DHCP, SNMPv2c, ONVIF, CoIP®, NTP
LAN protocols	Power over Ethernet (IEEE 802.3 a-f) Network Access Control (IEEE 802.1x)
Management and operation	HTTP/HTTPS (Web configuration) DHCP and static IP + IC-EDGE™. Remote automatic software upgrade. Centralized monitoring
Advanced supervision functions	E.g. network test, tone test, status reports
SIP support	RFC 3261 (SIP base standard), RFC 3515 (SIP refer), RFC 2976 (SIP info)
DTMF support	RFC 2833, 2976 (SIP info)

OTHER SPECIFICATIONS

IP address information	Speaks IP address after system boot
Country of manufacture	Poland
Dimensions (HxWxD)	144 x 186 x 207 mm
Weight	1.65 kg
Encapsulation material	ASA plastic
DIN-rail clips	Wago 209 (included)
Boxed Weight	1.8 kg / 4 lbs
Box Dimensions (Width x Height x Depth)	250 x 210 x 170 mm

Accessories



EMCG-1

Microphone for Network
Loudspeakers