

1008051000

## IP Vandal Resistant Substation



- ✓ Compatible with AlphaCom, IC-EDGE and iPBXs (SIP)
- ✓ Designed to deliver CCoIP® - Critical Communication over IP
- ✓ Vandal resistant flush-mount design
- ✓ Design in stainless steel (A304) to withstand corrosion
- ✓ One vandal proof direct call button
- ✓ Superb audio quality through wide bandwidth codec and high quality, high output power amplifier
- ✓ Integrated Web server
- ✓ Remote software upgrade, configuration and monitoring
- ✓ Line monitoring
- ✓ Possible connection to external IP video camera
- ✓ One relay output for door lock control or flash strobe light
- ✓ External call button option



Prison Intercom

## Description

The Vandal Resistant IP Substation is tough, durable and resilient, and designed for use in the harshest of environments. The station is typically used as a communication, information or emergency point and connects directly to the IP network making it easy to deploy – anywhere and at any distance

The IP station supports open standards and is compatible with AlphaCom, IC-EDGE and iPBXs using SIP technology. When working in AlphaCom mode, the IP station supports special services only available using the CCoIP protocol, AlphaCom server. Examples of services are emergency broadcast with volume override, CCTV integration, call priority, and AlphaNet multisite networking and event scripting.

Like all Vingtor-Stentofon stations, this IP substation features superb audio quality. This is enabled through a set of advanced technologies such as active noise filtering, acoustic echo cancellation, wide band audio codec, and high power audio outputs.

The station has one relay and one logical output. These outputs can, for instance, be used to open a door through a connected relay. The operation of the outputs is programmable and controlled by the AlphaCom exchange.

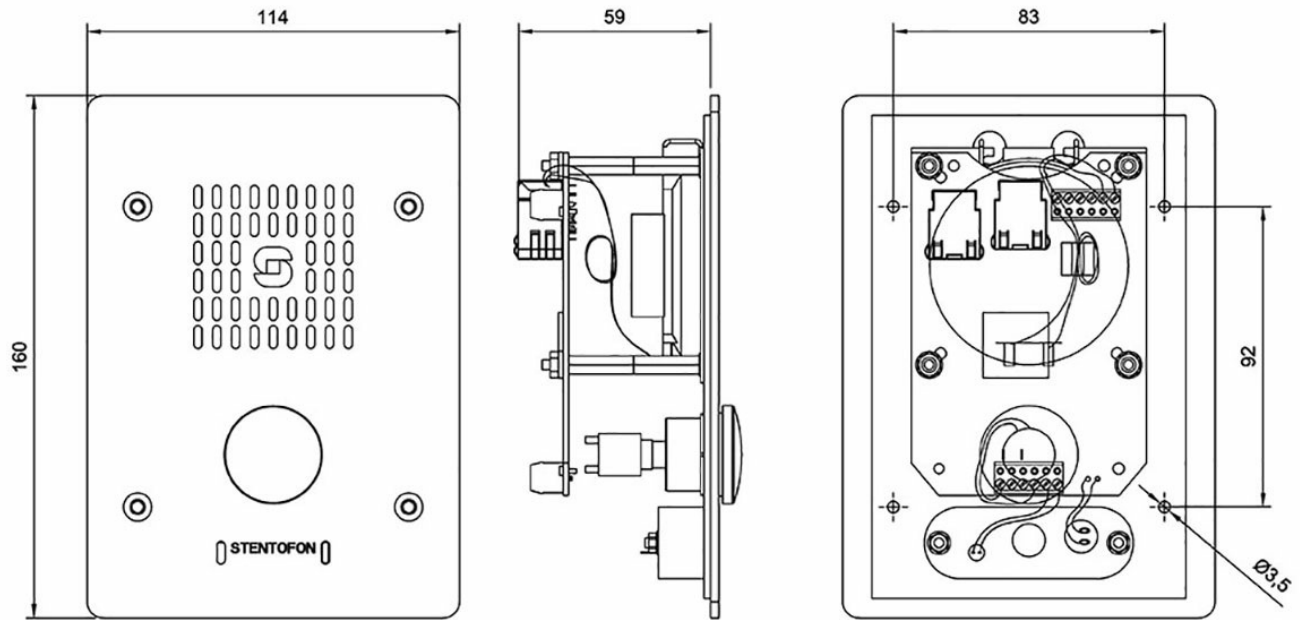
The IP substation has an integrated managed data switch providing advanced networking and security features. The integrated switch provides support for:

- ✓ Protection from unwanted access
- ✓ Quality of Service (QoS) by managing data traffic
- ✓ Increased system availability through redundant LAN infrastructure
- ✓ Cost efficient installation by providing shared network connections

To provide maximum availability the station comes with advanced supervision functions. The station line test will detect if there is any faults in the network or station electronics. In addition the station supports tone test, testing the complete transmission path including microphone and speaker. The status of the stations is reported to AlphaWeb as well as to 3rd party management systems using SNMP, Syslog or OPC.

See also: [additional documentation on wiki.zenitel.com](http://wiki.zenitel.com)

# Technical Dimensions



For mounting in 3-gang mount back box type 1008098300  
See drawing A100K11174

# Specifications

## GENERAL

Dimensions (HxWxD)	160 x 114 x 63 mm
Weight	0.8 kg
Protection	Vandal resistant design, 2 mm stainless steel front, tamper proof loudspeaker grill, button and fastening screws
Protection glass	With mounting box 1008098300: IP -65
Mounting	Flush mount in 3-gang back box, 2½ inch deep
Temperature	-40 °C to +55 °C environment
Relative humidity	0% - 95%
Power	Power over Ethernet, IEEE 802.3 a-f, Class 0, Local power (19-27 VDC), Idle 4W, max. 8W
Connectors	2 x RJ45 (Ethernet) 10/100 Mbps Pluggable screw terminals (audio and IO )
Remote control, Max. switching capacity, Max. voltage relay, Max. current relay	3 digital inputs, 1 relay output and one logical output, 30W DC, 60V DC, 1A DC
SIP	RFC 3261, SIP Info (DTMF), RFC 2833 (DTMF)
IP protocols	IP v4 - TCP - UDP - HTTPS- TFTP - RTP - RTCP - DHCP - SNMP - DiffServ - TOS – Vingtor-Stentofon CC oIP @ - SIP
LAN protocols	Power over Ethernet (IEEE 802.3 a-f), VL AN (IEEE 802.1pq), Network Access Control (IEEE 802.1x), STP (IEEE 802.1d), RSTP (IEEE 802.1d-2004)
Audio technology	Wideband 200 Hz - 7 kHz (G.722) , Telephony 3.4kHz (G.711 , Active noise filtering, Acoustic echo cancellation, Open duplex, Adaptive jitter filter, 1.5 Watt audio output, 8 ohm loudspeaker impedance, External audio out (0dB, 600 ohm)
Management and operation	HTTPS (Web configuration), DHCP and static IP, Remote automatic software upgrade, Centralized monitoring, Status LED
Advanced features	Dual port managed data switch supporting VL AN and network access control
Compliance	CE and FCC Part 15

## Accessories



3 Gang Flush Mount back box