

1008131020

TKIS-2

VoIP Intercom Module



- ✓ Build your own IP Intercom station or Help-Point
- ✓ Make your own 10W IP Speaker
- ✓ Control relay and I/Os over IP
- ✓ Supports Exigo, AlphaCom, IC-EDGE and SIP (for use with any IPBX)
- ✓ Supports a wide set of IP networking standards
- ✓ ONVIF Compatible
- ✓ Add VoIP/CCoIP to your parking solution, cash point, vending machine, et al
- ✓ Remote software upgrade, configuration and monitoring
- ✓ Powered over Ethernet (PoE)



Avaya Certified



CISCO Certified



UL Certified Intercom



Turbine



ICX-AlphaCom



Exigo



Automatic Volume



Automatic Gain Control



Active Noise Cancelling



Open Duplex

Description

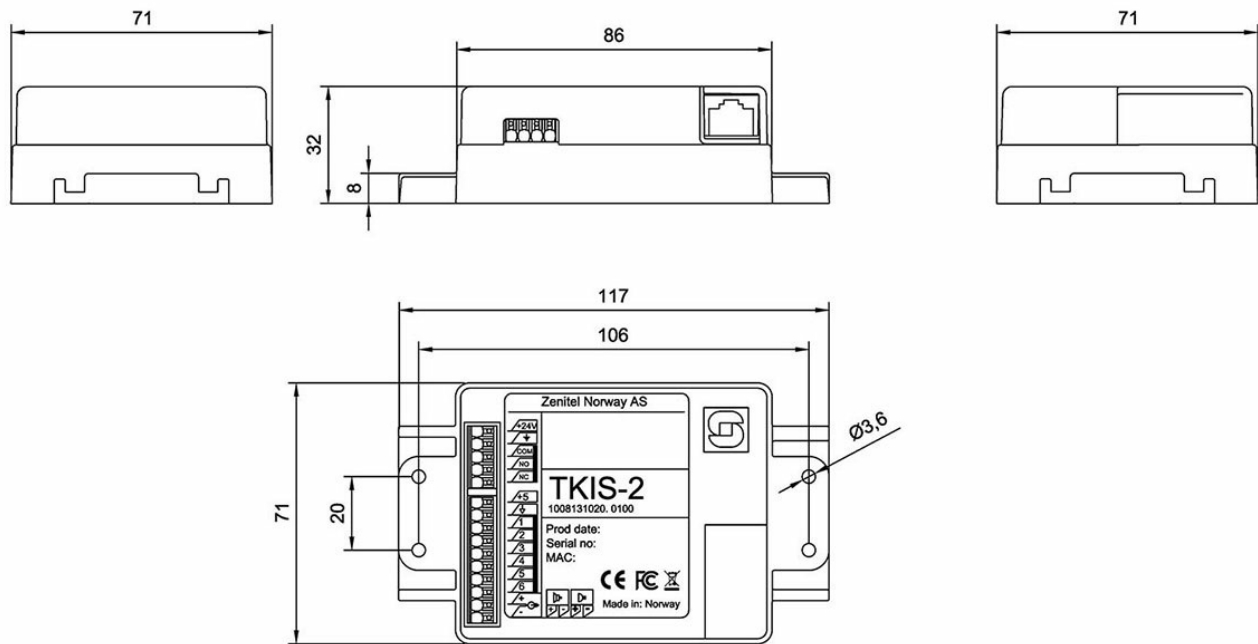
- ✓ Build your own IP Intercom station or Help-Point
- ✓ Make your own 10W IP Speaker
- ✓ Control relay and I/Os over IP
- ✓ Supports Exigo, AlphaCom, IC-EDGE and SIP (for use with any IPBX)
- ✓ Supports a wide set of IP networking standards
- ✓ ONVIF Compatible
- ✓ DIN-rail mountable clips included
- ✓ Add VoIP/CCoIP to your parking solution, cash point, vending machine, et al
- ✓ Remote software upgrade, configuration and monitoring
- ✓ Powered from the IP network cable using Power over Ethernet (PoE)
- ✓ Advanced audio technology like automatic gain and volume adjustment, background noise cancellation, open duplex, etc.

The VoIP Intercom Module utilizes the latest technology to create unparalleled audio quality. Some of the many features include: HD voice

quality, Open Duplex, Active Noise Cancellation, Automatic Volume Adjustment, MEMS microphone support, and a 10W Class D amplifier. These features, in conjunction with Vingtor-Stentofon's 70 years of experience with acoustic technology are only a few of the many factors that make our audio quality second to none.

See also: [additional documentation on wiki.zenitel.com](http://wiki.zenitel.com)

Technical Dimensions



Specifications

AUDIO

| | |
|----------------------------------------------------------|--------------------------------------------------------------------------------------------------------------------------------------------------------------------------------------------------------------------------------|
| Noise cancelling - suppression of musical noise | YES |
| Noise cancelling - suppression of static noise | YES |
| Noise cancelling - suppression of rapidly changing noise | YES |
| Codecs | G.711, G.722, G.729 |
| Frequency range, G.722 Codec | 200 Hz – 7000 Hz |
| Audio technology | Modes: Full open duplex, switched open duplex, Adaptive jitter filter, Local tone generator, Audio mixing - 3 channels, Sound level detection (scream alarm), Automatic gain control (microphone), Automatic volume adjustment |
| Internal speaker amplifier | 10 W class D |
| Supported microphone technologies | Digital MEMS, omnidirectional microphone. Electret omnidirectional microphone |
| Recommended loudspeaker impedance | 8 ohm |

HARDWARE

| | |
|----------------------------------------|-----------------------------------------------------|
| Ethernet connector | 1 x RJ 45 |
| All other connectors | Tool less, spring loaded, vibration proof terminals |
| General inputs and outputs | 6 (configurable) |
| Outputs | 12mA as LED drivers |
| Change-over relay (NO+NC+COM) | Max: 250VAC/220VDC, 2A, 60W |
| Power options | PoE and or external power supply |
| PoE (power over Ethernet) | IEEE 802.3af standard, Class 0 (0.44W to 12.95 W) |
| External power supply | 24 VDC (16 – 48 V) |
| Power consumption | Idle 1.8W, max 12W (depending on volume) |
| Audio line out / induction loop signal | 600 Ohm |

NETWORKING AND PROTOCOLS

| | |
|--------------------------------|------------------------------------------------------------------------------------------------------------------------|
| Protocols | IPv4 (with DiffServ), SIP, TCP, UDP, HTTPS, TFTP, RTP, DHCP, SNMP, ONVIF, CCoIP®, NTP |
| LAN protocols | Power over Ethernet (IEEE 802.3 a-f) Network Access Control (IEEE 802.1x) |
| Management and operation | HTTP/HTTPS (Web configuration) DHCP and static IP + IC-EDGE. Remote automatic software upgrade. Centralized monitoring |
| Advanced supervision functions | E.g. network test, tone test, status reports |
| SIP support | RFC 3261 (SIP base standard), RFC 3515 (SIP refer), RFC 2976 (SIP info) |
| DTMF support | RFC 2833, 2976 (SIP info) |

ENVIRONMENT AND COMPLIANCES

| | |
|-----------------------------|--------------------------------------------|
| Operating temperature range | -40° to 70° C / -40° to 158 ° F |
| Storage temperature range | -40° to 70° C / -40° to 158 ° F |
| Relative humidity | < 95% not condensing |
| EMC | CE and FCC Part 15 |
| Certificates | UL 60950-1, cUL 60950-1, CB to IEC 60950-1 |

OTHER SPECIFICATIONS

| | |
|------------------------|----------------------------------------------------------------------|
| IP address information | Speaks IP address after system boot (requires connected loudspeaker) |
| Country of manufacture | Poland |
| Dimensions (HxWxD) | 32 x 117 x 71 mm |
| Weight | 0.1 kg / 0.2 lbs |
| Encapsulation material | ASA plastic |
| DIN-rail clips | Wago 209 (included) |

Accessories



TA-16



TA-17



IP-LCM-A

IP Line Expansion Module with
Inputs/Outputs

Used With



TKIA-2

Analog over IP Gateway



TCIA-2

Analog over IP Intercom



TCIA-2-P

Package with TCIA-2,TKIA-2,TKIS-2