

3006100088

VML-1520

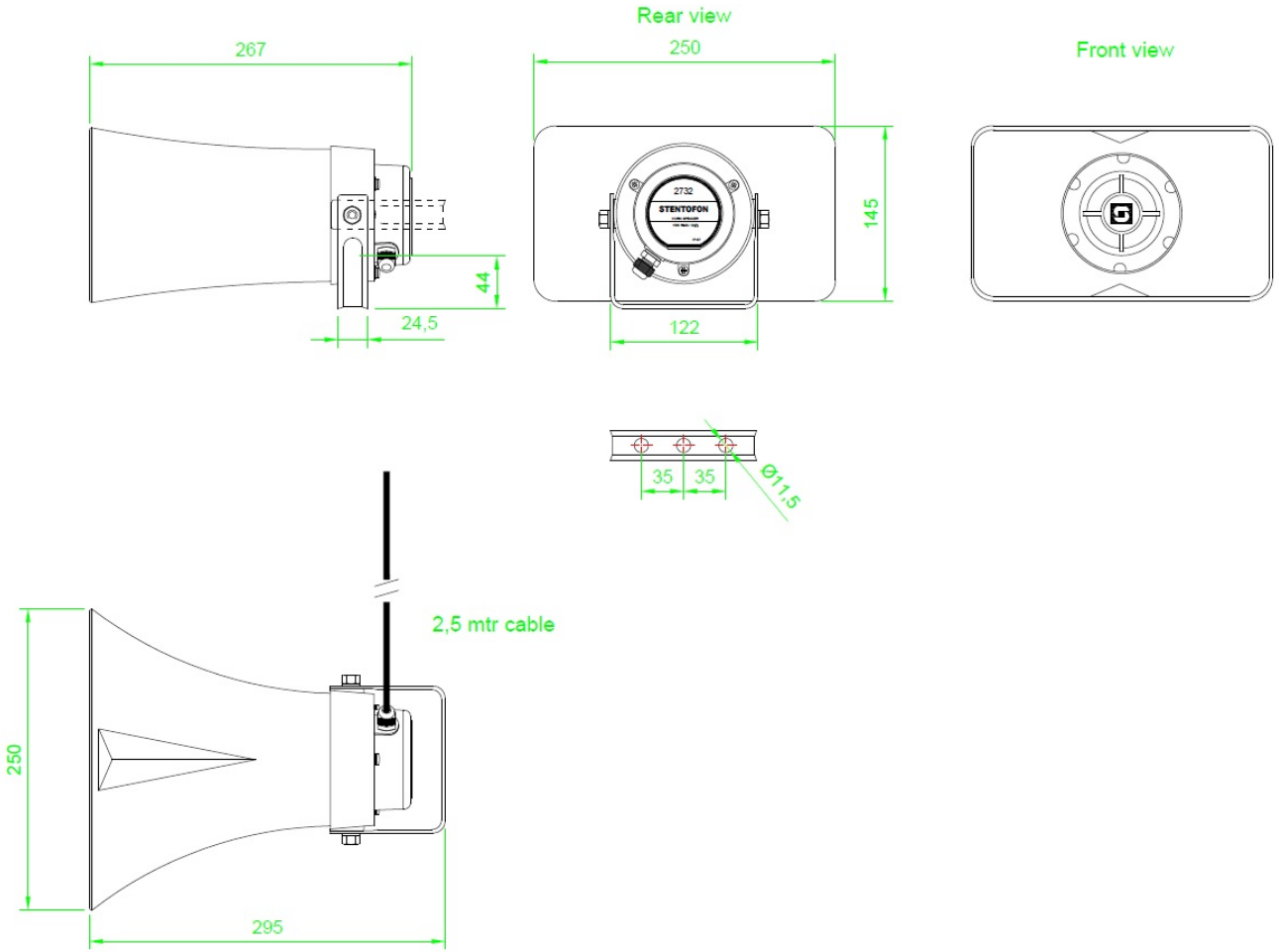
Horn Loudspeaker 15W, 20 OHM Waterproof



Description

- ✓ General purpose 15 Watt 20 ohm horn loudspeaker
- ✓ For use on deck areas, engine room etc.
- ✓ To be used together with ACM or talk-back stations

Technical Dimensions



Specifications

GENERAL

Dimension (mm)	250W x 145H x 270D
Temperature	-40 °C - +55 °C
Relative humidity	0% - 95%
Material, finish	ABS, grey
Mounting	Bracket, stainless steel grade 304
Termination	Cable 2.5m
Weight	1,35 kg
Rated power	15W rms
SPL at 1kHz	106dB/1W/1m - 118Db/15W/1m
Effective frequency range	275 - 7000 Hz
IP rating	IP-67
Identification/markings	2732